

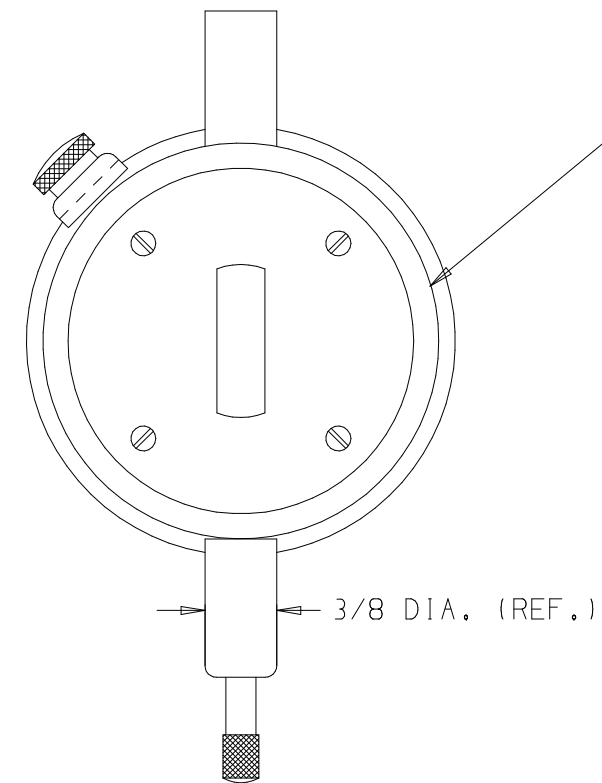
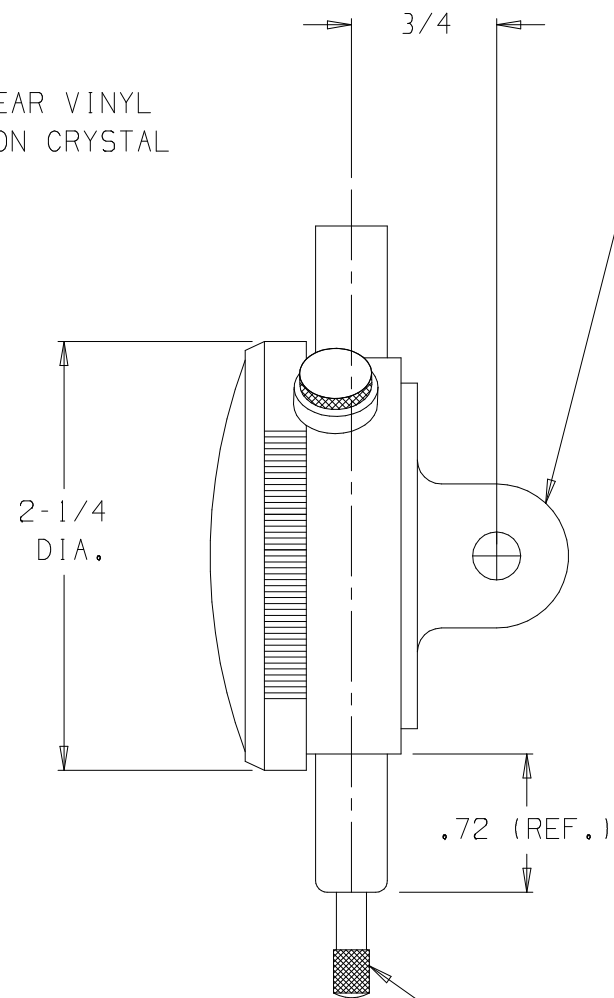
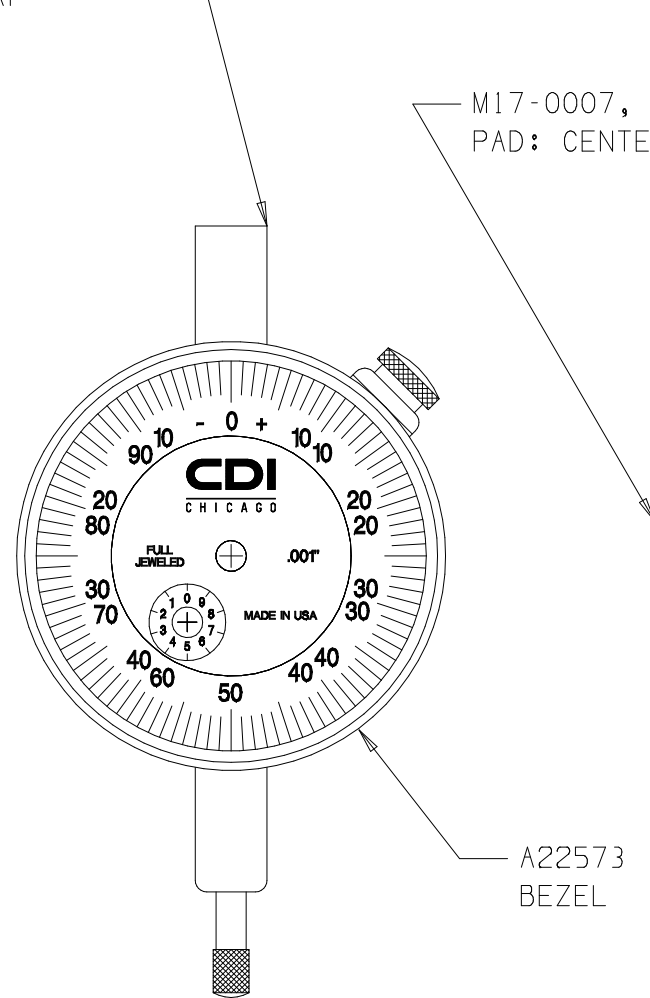
NOTE:
WHITE DIAL FACE WITH BLACK TEXT

A250131, 1/2"
DUST CAP

M17-0007, CLEAR VINYL
PAD: CENTER ON CRYSTAL

CD120
LUG BACK

A22514TR-.72S,
GRP.2 REG. CASE
W/STEEL STEM



25004BCJ