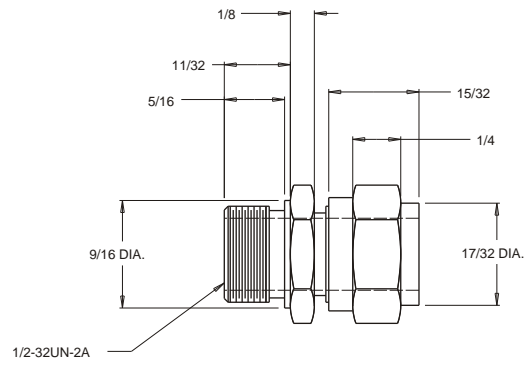
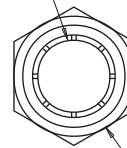


MOUNTING COLLET, CD194



$3/8$ DIA. HOLE THROUGH



COLLET NUT
 $5/8$ HEX