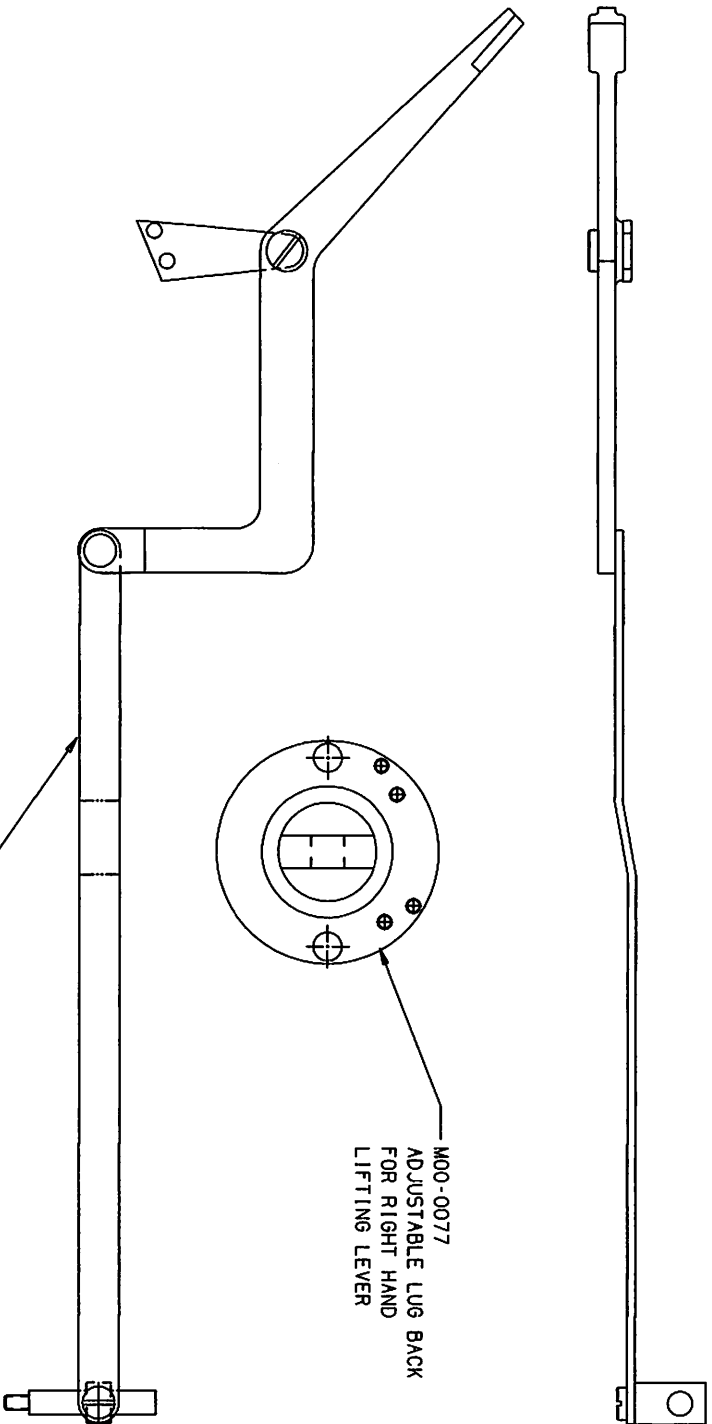
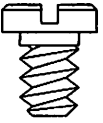
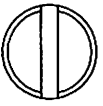


REVISIONS			
LTR	DESCRIPTION	DATE	BY
A	UPDATED DRAWING TO SHOW PARTS INCLUDED IN ASSEMBLY.	6-11-98	JN



NOTE: REFERENCE SEE K04-0041 FOR ASSEMBLY INSTRUCTIONS.

610-0022
LIFT LEVER ASSEMBLY,
RIGHT HAND 4"
WITH 2 MOUNTING SCREWS
AS SHOWN



CHICAGO DIAL INDICATOR CO.							
1372 REDEKER ROAD, DES PLAINES, IL, 60016							
TOLERANCES UNLESS OTHERWISE SPECIFIED .XXX:+.005, .XX:+.01, FRACTIONS:+.015							
ASSEMBLY, LIFT LEVER 4" ELECTRONIC							
DRW BY	DATE	CHK BY	DATE	ENJN NO.	CAD FILE NO.	SCALE	
JNEFF	8-3-92				CD17740R	1/1	
MATERIAL:		SEE CALLOUTS		SIZE	DRAWING NO.	REV.	
				B	CD177-40R	A	