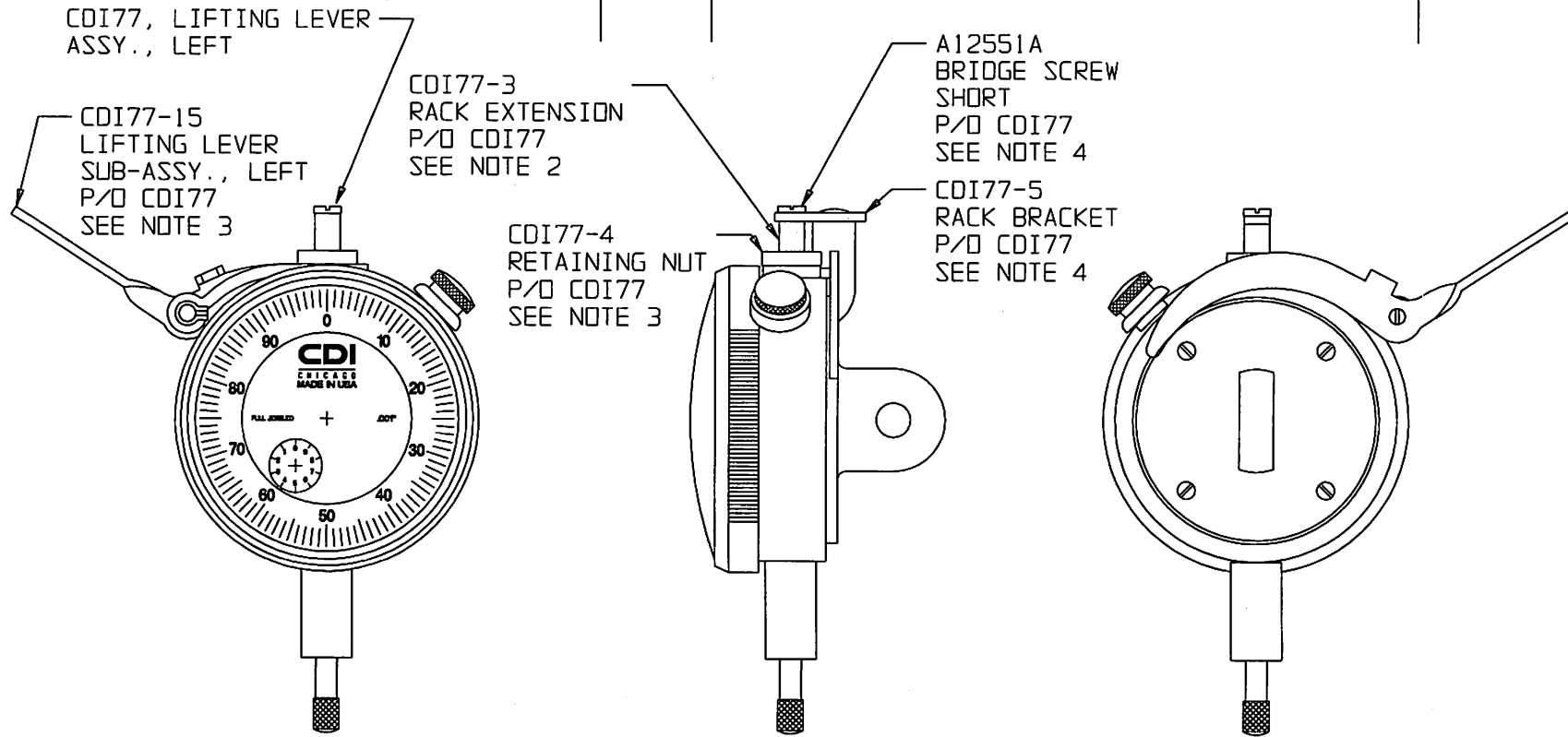


REVISIONS

LTR	DESCRIPTION	DATE	BY



NOTES:

1. REMOVE DUST CAP FROM TOP OF CASE.
2. REPLACE RACK SCREW WITH RACK EXTENSION FROM LIFTING LEVER KIT. (HOLD RACK IN PLACE WHEN REMOVING SCREW OR RACK MAY SLIP INTO CASE AND DISENGAGE FROM MOVEMENT.)
* DO NOT OVERTIGHTEN EXTENSION.
3. INSTALL LIFT LEVER BRACKET & ARM ASSEMBLY OVER TOP STEM AND HOLD IN PLACE WITH SQUARE NUT FROM KIT. TIGHTEN NUT WITH ARM ASSEMBLY IN POSITION SHOWN.
* POSITION ON LEFT OR RIGHT SIDE OF TOP STEM (AS SHOWN)
4. ASSEMBLE LIFT LEVER BRACKET TO RACK EXTENSION WITH RACK WITH RACK SCREW. LIFT LEVER BRACKET SHOULD BE ADJUSTED TO A POSITION POINTING TO BACK OF GAGE AND TIGHTENED IN PLACE TO GIVE FULL TRAVEL OF GAGE.
5. LIFT LEVER SHOULD MOVE FREELY AND LIFT SPINDLE UP EASILY.

CHICAGO DIAL INDICATOR CO.
1372 REDEKER ROAD, DES PLAINES, IL. 60016

TOLERANCES UNLESS OTHERWISE SPECIFIED .XXX=±.005, .XX=±.01, FRACTIONS=±.015

LIFTING LEVER INSTALL. INSTRUCTIONS FOR MECH GAGE

DRW BY	DATE	CHK BY	DATE	EJN NO.	CAD FILE NO.	SCALE
JNEFF	7-7-97					3/4
MATERIAL:				SIZE	DRAWING NO.	REV.
				A	K04-0036	