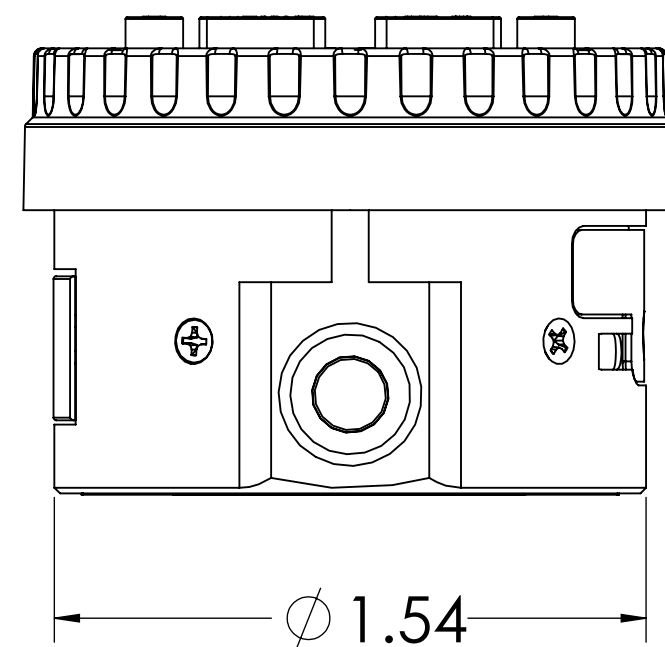


(2) #2-64 MTG. HLS.



MQ3665  
 TRAVEL:  $.40''$   
 RESOLUTION:  $.00005''/.001\text{mm}$